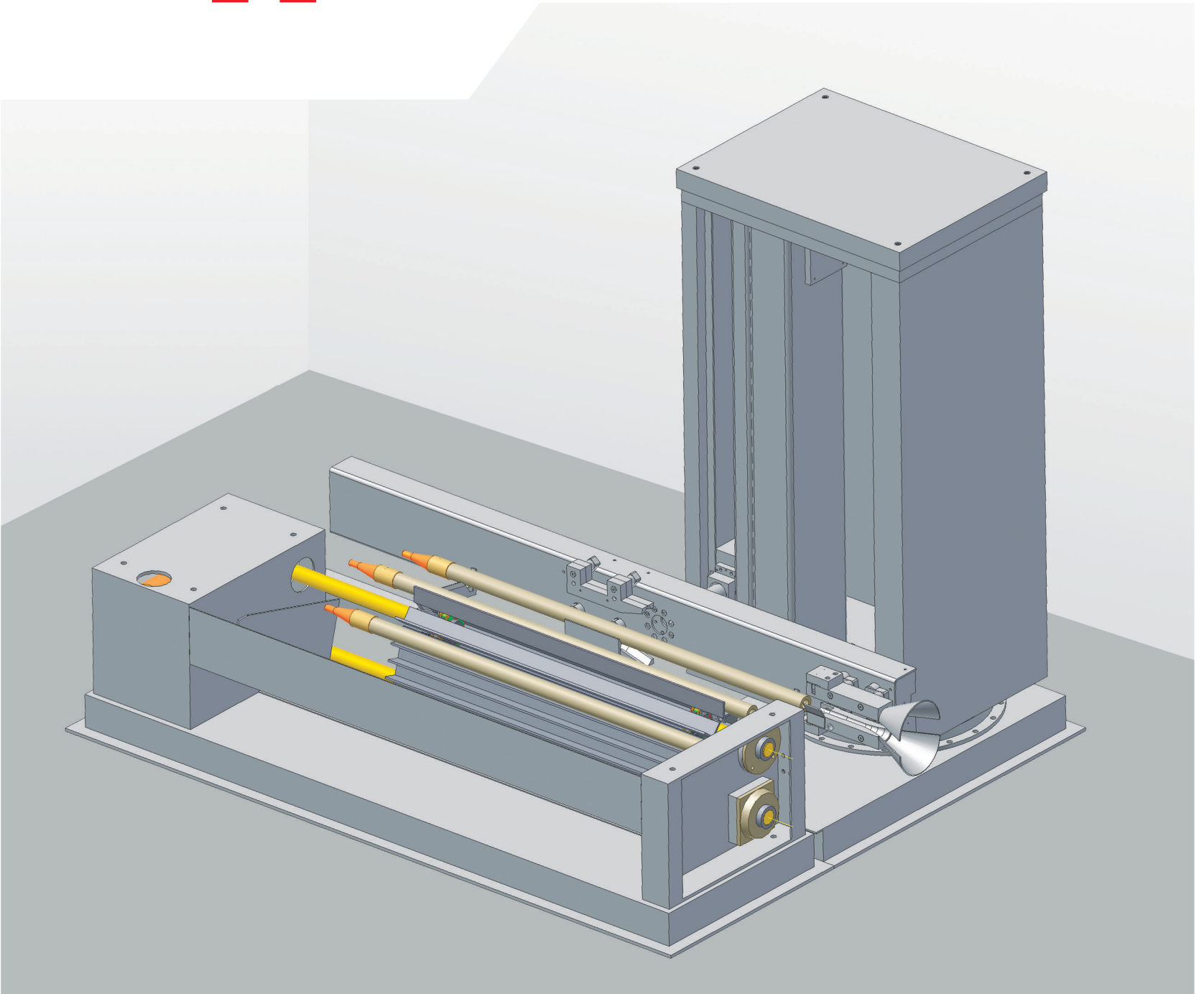




Together We Define the Future

 **SWITZERLAND**  
LUZERN • NEW YORK • SHANGHAI



# Automatic Probe Changing Systems (APC)

Measures and samples process without any interruption.



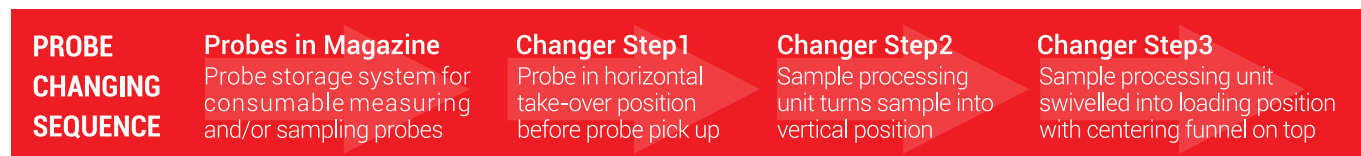
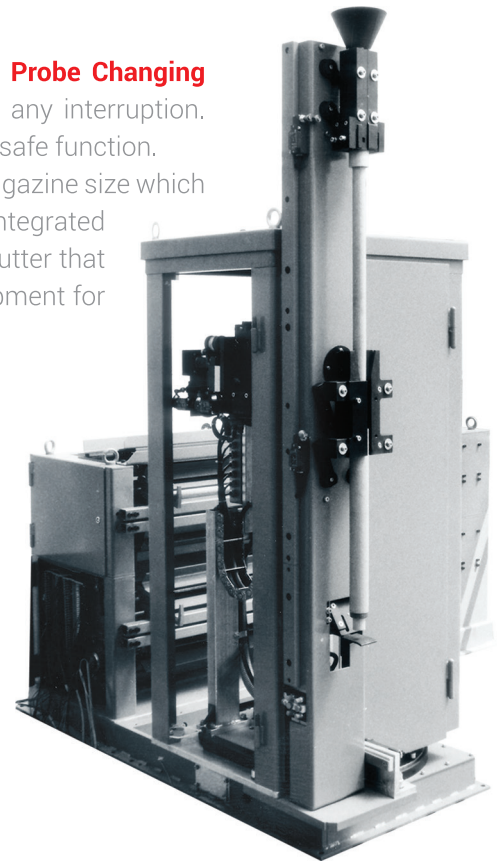
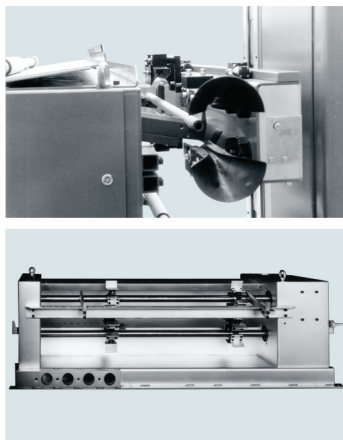
Together We Define the Future



Already in operation for many years, the trouble free, reliable **Automatic Probe Changing System** enables a continuous measuring and sampling process without any interruption. Operating costs in mind, the APC was designed for easy maintenance and safe function. The reload cycle of the different probes is dependent on the number and magazine size which is stackable up to 8 times the standard size. MTAG can supply a fully integrated automated system. Besides the Automatic Probe Changer, an automatic cutter that cuts off the sample from the probes as well as handling and feeding equipment for the pneumatic conveying of the samples to the laboratory can be supplied.

**Main features:**

- Triple probe type storage
- Reliable and proven design
- Multifunctional probe manipulator
- Sensor controlled probe feeding
- Multi shift storage capacity design
- Fully controlled operation
  - from storage to take-over point
- Pneumatic transport system
- Probe exchange cycle in less than 30 seconds



**Functions of APC with Multiple Magazine and Sample Processing Unit:**

- 1 Removal of used probe or drawn sample
- 2 Dropping used probe into the recycling container
- 3 Moving the sample into the cutter of the sample processing unit, the cardboard tube goes to the recycling container
- 4 Positioning of APC Manipulator to access probe magazine
- 5 Rotate APC arm into horizontal position and move to desire magazine position
- 6 Take up a probe from magazine
- 7 Rotating APC arm into vertical position
- 8 Positioning APC manipulator under lance
- 9 Docking probe on connector of lance

